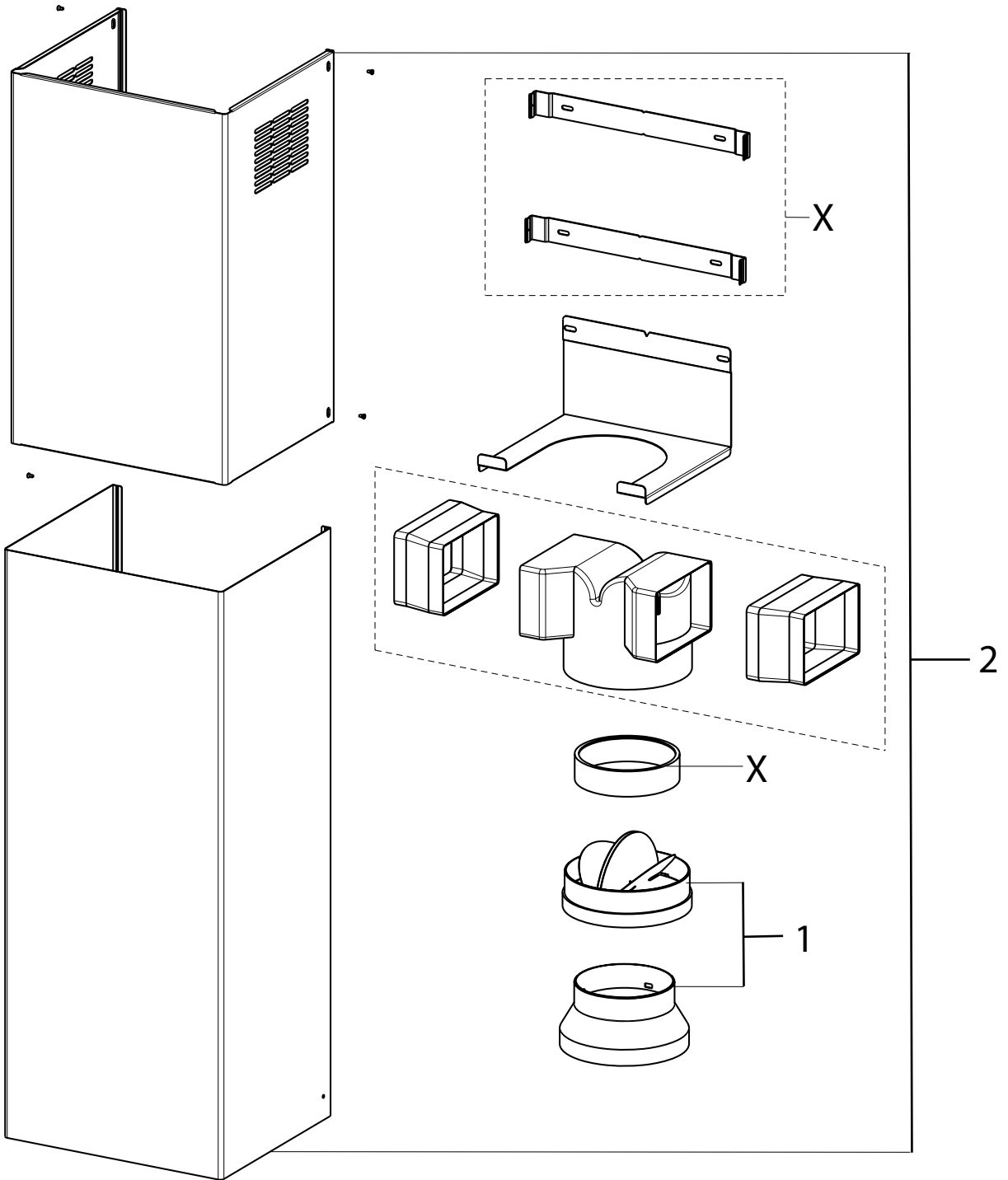


THERMEX

VERTICAL 975 / VENEDIG

CHIMNEY

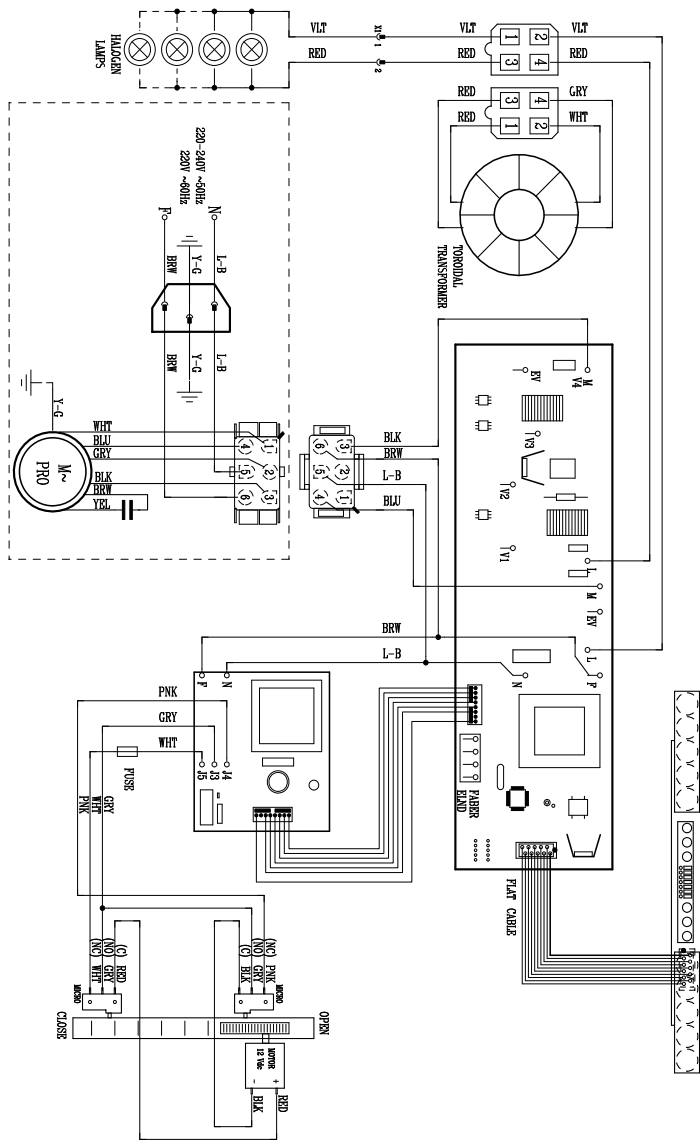


THERMEX

SPAREPART LIST VERTICAL 975 / VENEDIG

Position	Code	Thermex Code	Description
1		R520.43.1203.0	FLANGE
2		R520.43.5000.0	COMPLETE CHIMNEY
3	1.330.017.045	R520.43.5001.0	MOTOR
4	1.330.056.065	R520.43.5002.0	CONTROL PANEL
5	1.330.062.482	R520.43.5003.0	GREASE FILTER
6	1.330.062.486	R520.43.5005.0	CIRCUIT BOARD
7	6099299	535.43.4100.9	CARBON FILTER
X			No Spareparts

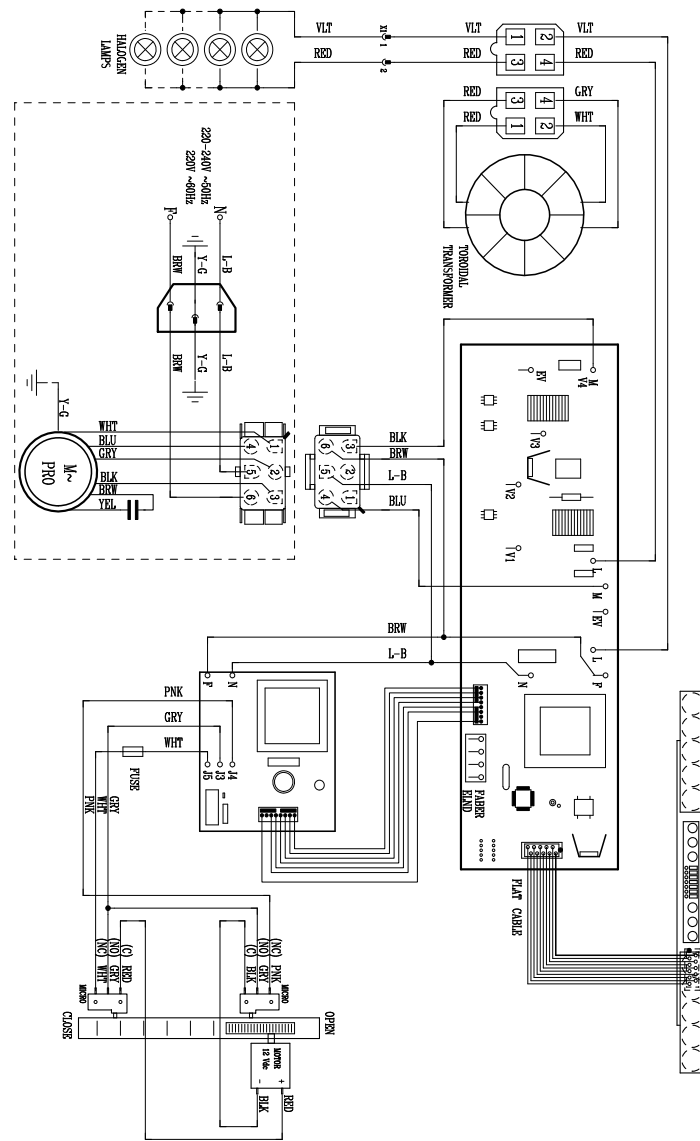
- | | | | |
|-----------|-------------------|-----------|-------------------|
| I | Schema Elettrico | NL | Schema Elektrisch |
| GB | Electric Diagram | E | Esquema Eléctrico |
| F | Schéma Electrique | PT | Esquema Eléctrico |
| D | Schema Elektrisch | | |



THERMEX VERTICAL 975

436004478 H90_003 r1

- | | | | |
|-----------|-------------------|-----------|-------------------|
| I | Schema Elettrico | NL | Schema Elektrisch |
| GB | Electric Diagram | E | Esquema Eléctrico |
| F | Schéma Electrique | PT | Esquema Eléctrico |
| D | Schema Elektrisch | | |



THERMEX VENEDIG

436004478 H90_003 r1