


**INSTRUCTIONS FOR INSTALLATION AND USE
MONTAGE- UND GEBRAUCHSANWEISUNG
INSTRUCTIONS POUR L'INSTALLATION ET L'UTILISATION
ISTRUZIONI PER L'INSTALLAZIONE E L'USO
INSTRUCCIONES PARA INSTALACIÓN Y USO
INSTRUÇÕES DE INSTALAÇÃO Y UTILIZAÇÃO
AANWIJZING VOOR GEBRUIK EN INSTALLATIE**



DESCRIPTION

The hood may be installed in the filtering version, in the ducting version or in the version with an external motor.

Filtering version (Fig. 1A o 1B): The hood aspirates the kitchen air saturated with fumes and odours, purifies it through the grease filters and charcoal filters and returns clean air into the room. For constant efficiency, the charcoal filters must be replaced periodically. The charcoal filters are not supplied.

Ducting version (Fig. 2): The hood aspirates the kitchen air saturated with fumes and odours, passes it through the grease filters and expels it to the outside through an outlet pipe. With this version the charcoal filters are not required.

Version with an external motor (Fig. 3): the hood is connected to a vacuum motor set outside the kitchen, or outside the building; the motor aspirates the kitchen air saturated with fumes and odours making it go through the anti-grease filters of the hood, then through the air disposal duct to make it go outside.

If you chose to install this version of the hood, you have to buy it already fit for this installation, which means without the motor inside; moreover you have to buy a vacuum motor (**only use vacuum units suggested in the original catalogue**). With this version the charcoal filters are not required.

Decide from the outset on the type of installation (filtering, ducting or with an external motor). For greater efficiency, we recommend you install the hood in the ducting version or in the version with an external motor (if possible). Attention: you can chose to install the hood with an external motor only if you have bought a hood already planed for this version.

INSTALLATION

ATTENTION: Two persons are required for proper installation; the unit should be installed by a qualified operator.

1. Features of the outlet pipe (only for the ducting version and version with an external motor): Before fixing, the outlet pipe for air evacuation to the outside must be installed. Use an outlet pipe with: – minimum indispensable length; – minimum possible bends (maximum angle of bend: 90°); – certified material (according to the State); – an as smooth as possible inside. It is also advisable to avoid any drastic changes in pipe cross-section (recommended diameter: 150 mm). For air evacuation to the outside, follow all the other instructions given on the “Warnings” sheet.

2. Prepare the electric power supply (for the electric connection, follow all other indications stated on the “Warning” sheet). If the model you have purchased is supplied with a decorative flue, prepare the electric power supply within the decorative flue.

3. Assembly of the metal grid (only for the filtering version of the extractor hood without decorative flue): the metal grid must be assembled by operating inside the hood, therefore:

- **For models with metal panels:** Remove the upper panel gripping it on the right (or left) and pulling until the 2 internal pins are released. Operate in the same way on the opposite side of the panel; slightly move the panel upwards until the 2 tabs slip out of the slots (Fig. 4). Remove the upper grease filter by pushing the catch downwards and turning the filter outwards (Fig. 5).

- **For models with glass panels:** Open the upper panel by gripping it at the bottom (Fig. 6). Remove the upper grease filter by pushing the catch downwards and turning the filter outwards (Fig. 5).

- Proceed with fitting the metal grille securing it with 2 screws from the inside of the hood (Fig. 7).

4. Assembly of the charcoal filter (only for the filtering version): check that the charcoal filters have already been installed. Rest them on the sides of the motor and turn them in an anti-clockwise direction (Fig. 8).

5. Assembly of the flange (Fig. 9 for the ducting version; Fig. 10 for the version with an external motor): install the flange in the device air outlet.

6. Fixing to the wall: Draw a line on the wall in vertical line with your hob. Mark the first 4 holes to be drilled in the wall, respecting the distances indicated in Fig. 11. Drill the 4 holes and fit the screw anchors provided.

Bear in mind that the distance between the lower edge of the hood and the hob must be min. 350 mm.

Fix the metal brackets (A) to the wall using the holes just drilled (Fig. 12); the screws for fixing the bracket are provided. Hang the hood on the brackets (Fig. 13). Adjust the horizontal position moving the hood to the right or left so that it is aligned with the wall units. When adjustment has been completed, without removing the hood, mark the other 2 holes to be drilled (C) in the wall. Remove the hood and drill the holes marked (8 mm diameter). Then use the 2 screw anchors and the 2 screws provided for final fixing.

Refit the grease filter and close the upper panel.

7. Fixing of the telescopic decorative flue (the decorative flue is only present in certain models):

- Adjust the width of the support bracket (D) of the telescopic flue by means of the screws (E) as shown in Fig. 14; then, by means of the screw anchors and screws (F) provided, fix the bracket to the ceiling in such a way that it is positioned along the axis with your hood.

- Only for the ducting version and version with an external motor: Connect the air outlet pipe to the air vent of the hood. Use a flexible pipe and lock it to the air vent of the hood with a metal hose clamp - Fig. 15 (pipe and clamp are not provided).

- Only for the filtering version: Mount the flange on the hood in correspondence to the air outlet point (Fig. 16). Take the air baffle and fit a flexible pipe to it (125 mm diameter) locking it with a metal hose clamp (pipe and clamps are not provided). Fit the air baffle to the upper flue (Fig. 17) with 4 screws. Connect the flexible pipe to the flange on the air vent (Fig. 18).

- Only for the version with an external motor: connect the hood to the external motor using the special terminal block

(Fig. 17): remove wire clamp A and lid B from the wiring junction box; fix the connecting wire of the external motor to terminal C; then replace wire clamp A and lid B on the wiring junction box; the other end of the wire is secured to the terminal block on the external motor.

- Carry out the electrical connection of the hood using the power supply cable.

- Insert the extension flues setting them on the hood; extend the upper flue to the ceiling and secure with the 2 screws (H) - Fig. 20.

OPERATION

Depending on the model, the unit is equipped with the following controls:

CONTROLS shown in Fig. 21:

A) Turns the LIGHTS off

B) Turns the LIGHTS on.

C) Decreases speed down to minimum speed. If pressed for 2" the motor is turned off.

D) Activates the motor (calling the last speed used) and increases the speed until reaching maximum.

E) FILTER ALARM/TIMER RESET: when pressing the key during display of the filter alarm (motor off) it resets the hour counter. When pressing the key when the motor is running, the TIMER is activated and the hood will automatically be switched off after 5 minutes.

L1) The 4 green LEDs indicate the running speed.

L2) When the LED is red (motor off) it indicates the FILTER ALARM. When the LED is green (flashing) it indicates that the TIMER has been activated with the key E.

FILTER ALARM:

After 30h of operation, the LED L2 turns RED. It indicates that the grease filters need to be cleaned.

After 120h of operation, the LED L2 turns RED and flashes; it indicates that the grease filters need to be cleaned and the charcoal filters replaced.

After cleaning the grease filters (and/or replacing the charcoal filters), restart the hour counter (RESET) by pressing the key E during display of the filter alarm.

CONTROLS shown in Fig. 22:

A) LIGHTS on/off switch.

1) Activates the motor at the first speed (the icon lights-up). By pressing on the icon for about 2 seconds the motor will stop.

2) Activates the motor at the second speed (the icon lights-up). All of the other icons relative to the speed remain switched off.

3) Activates the motor at the third speed (the icon lights-up). All of the other icons relative to the speed remain switched off.

4) Activates the motor at the fourth speed (the icon lights-up). All of the other icons relative to the speed remain switched off.

B) Activates the TIMER (the icon lights-up). By activating the Timer (5 minutes), the motor will stop automatically after 5 minutes.

C) FILTER ALARM. After 30 working hours, the icon lights up to indicate that the grease filter/s must be cleaned.

After 120 working hours, the icon flashes to indicate that the grease filter/s must be cleaned and the charcoal filters replaced.

To re-start the hour - counter, reset by pressing on the icon while it is lit (or while it flashes).

Grease filters: special attention must be given to the grease filters which must be periodically cleaned, whenever the grease filter alarm trips. For instructions of the filter Alarm, refer to the Controls paragraph.

- **Removing the grease filter (for models with metal panels):** Remove the front panels by gripping them on the right (or left) and pulling until the 2 internal pins are released. Operate in the same way on the opposite side of the panel; slightly move the panel upwards until the 2 tabs slip out of the slots (Fig. 4). Remove the grease filters by pushing the catch downwards and turning the filter outwards (Fig. 5).

- **Removing the grease filter (for models with glass panels):** Open the front panels gripping them at the bottom (Fig.6). Remove the grease filters by pushing the catch downwards and turning the filter outwards (Fig. 5).

Charcoal filters: if the filtering version appliance is used, the charcoal filters will have to be periodically replaced when the charcoal filter alarm trips. For instructions on the filter Alarm, refer to the Controls paragraph.

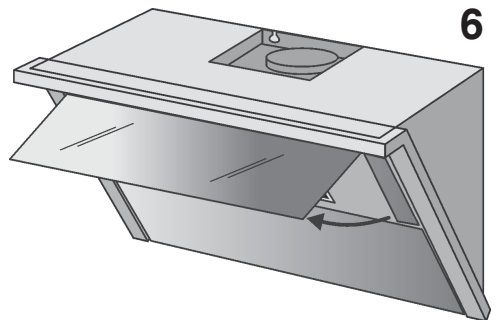
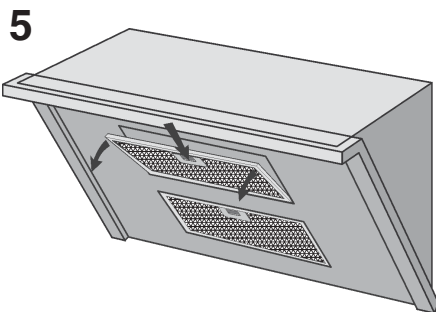
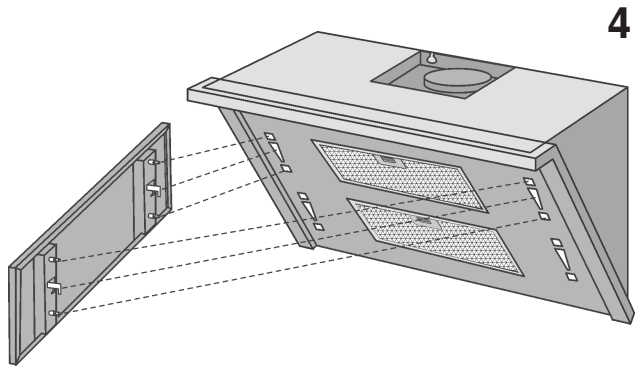
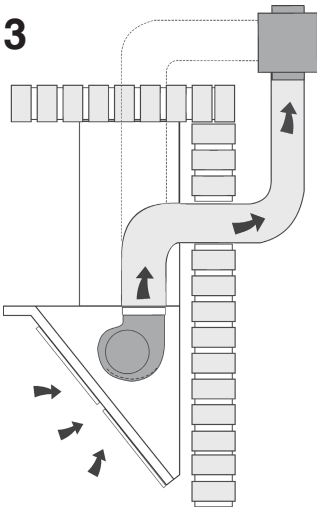
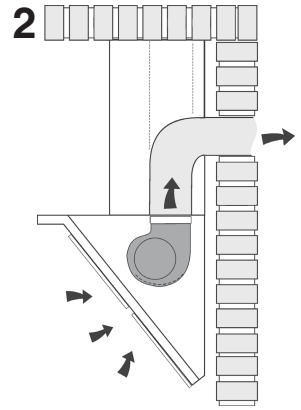
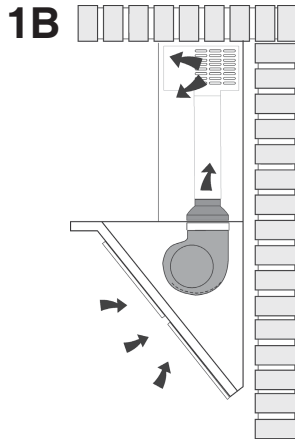
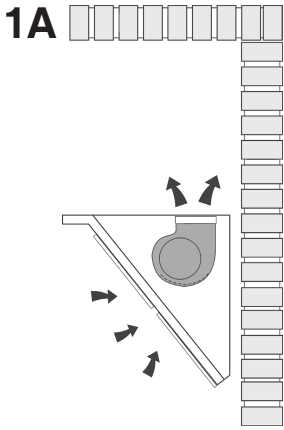
- **Remove the charcoal filter (for models with metal panels):** Remove the upper panel gripping it on the right (or left) and pulling until the 2 internal pins are released. Operate in the same way on the opposite side of the panel; slightly move the panel upwards until the 2 tabs slip out of the slots (Fig. 4). Remove the upper grease filter by pushing the catch downwards and turning the filter outwards (Fig. 5). Remove the charcoal filters by turning them clockwise (Fig.23).

- **Removing the charcoal filter (for models with glass panels):** Open the upper panel by gripping it at the bottom (Fig.6). Remove the grease filter by pushing the catch downwards and turning the filter outwards (Fig. 5). Remove the charcoal filters by turning them clockwise (Fig. 23).

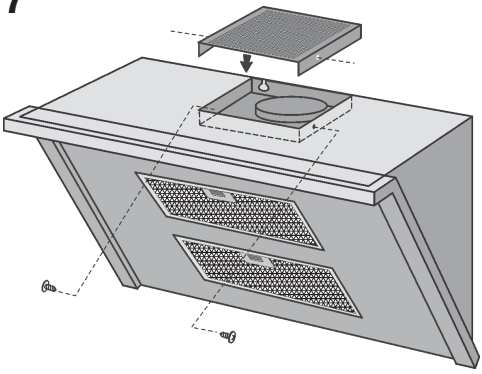
Lighting (Fig.24): To replace the halogen lamps, open the cover by prising in the slots. Replace with lamps of the same type. **WARNING: Do not touch the new lamp with bare hands.**

IMPORTANT

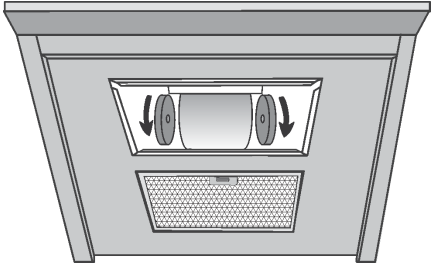
In the event of strong vapour concentrations, condensation could form in the lower part of the hood; this is not a defect, nor does it affect normal operation of the hood.



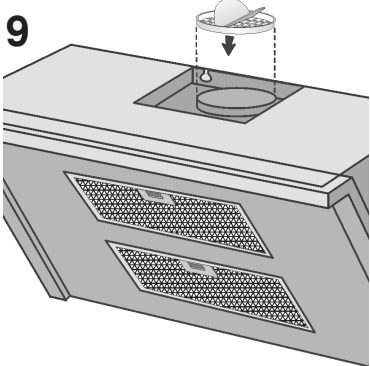
7



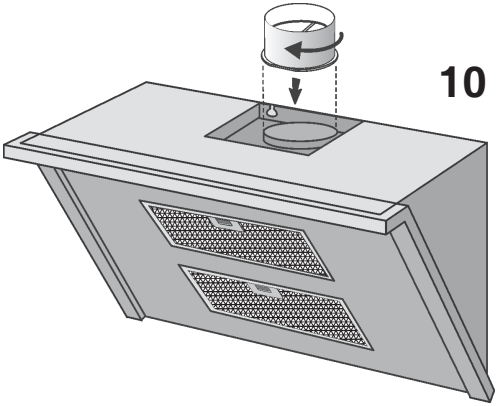
8



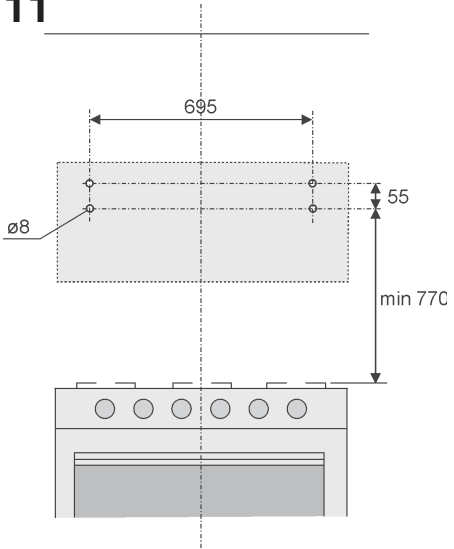
9



10



11



12

