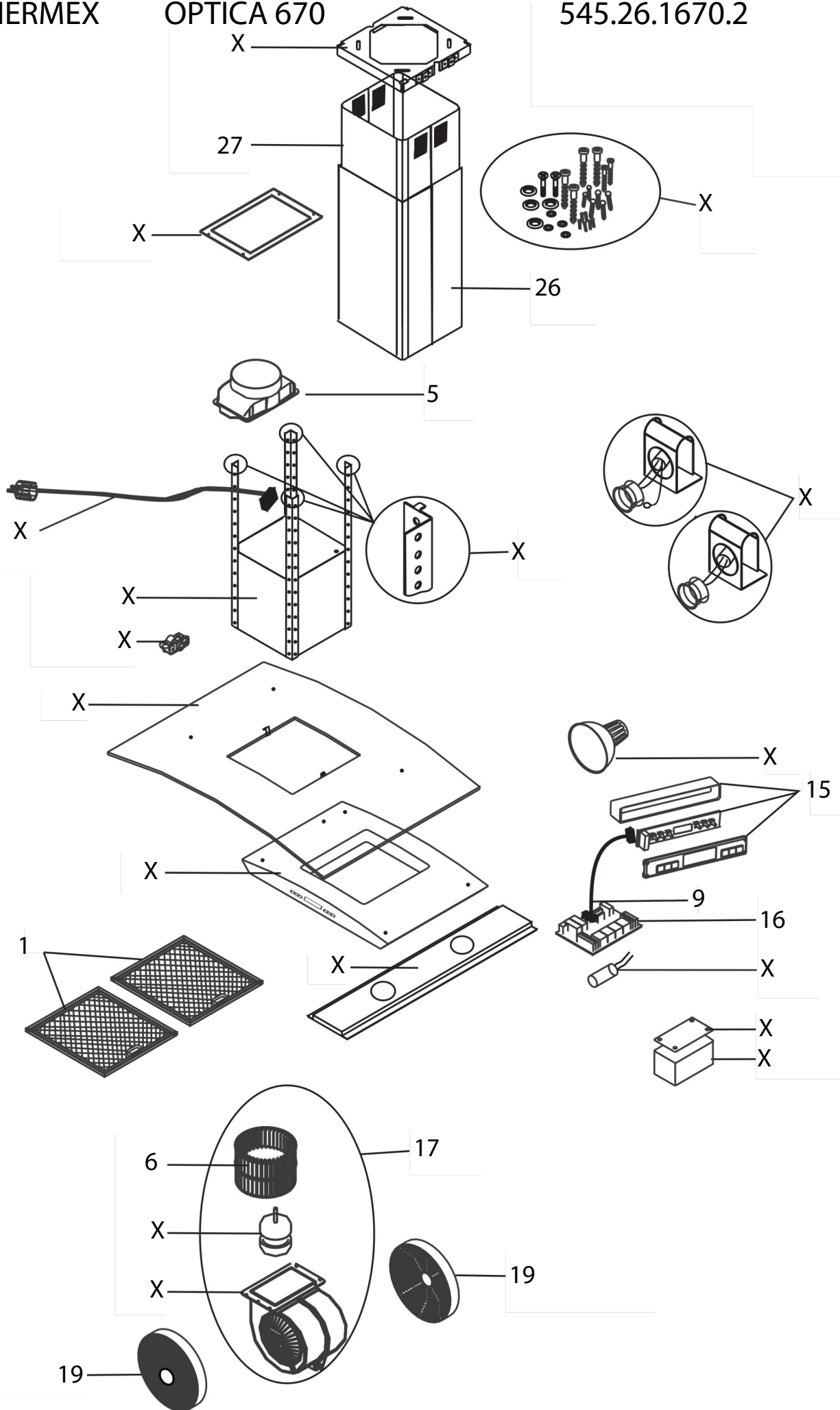


THERMEX

OPTICA 670

545.26.1670.2



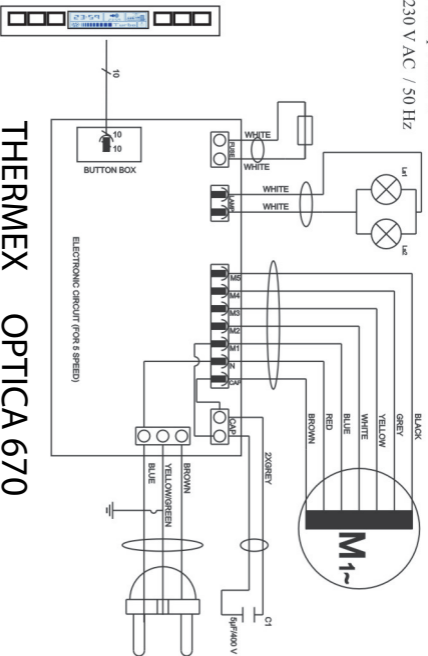
THERMEX

SPAREPART LIST OPTICA 670 FH

Position	Code	Thermex Code	Description
1	YT142.2150.04	R520.26.1001.0	GREASE FILTER
5	YT202.1000.04	R520.26.1000.0	OUTLET
6	YT207.1000.11	R520.26.1007.0	FAN WHEEL
9	YT401.3210.01	R520.26.1002.0	CABLE
15	YT456.3170.02	R520.26.1003.0	TOUCH PANEL
16	YT457.3210.03	R520.26.1004.0	CIRCUIT BOARD
17	YT460.1000.07	R520.26.1011.0	COMPLETE MOTOR
19		535.21.1000.9	CARBON FILTER
26-27		R520.26.1009.0	COMPLETE CHIMNEY
X			No Spareparts

Motor : 230 w / Lamp : 2x50 w

INPUT : 220 - 230 V AC / 50 Hz



THERMEX OPTICA 670