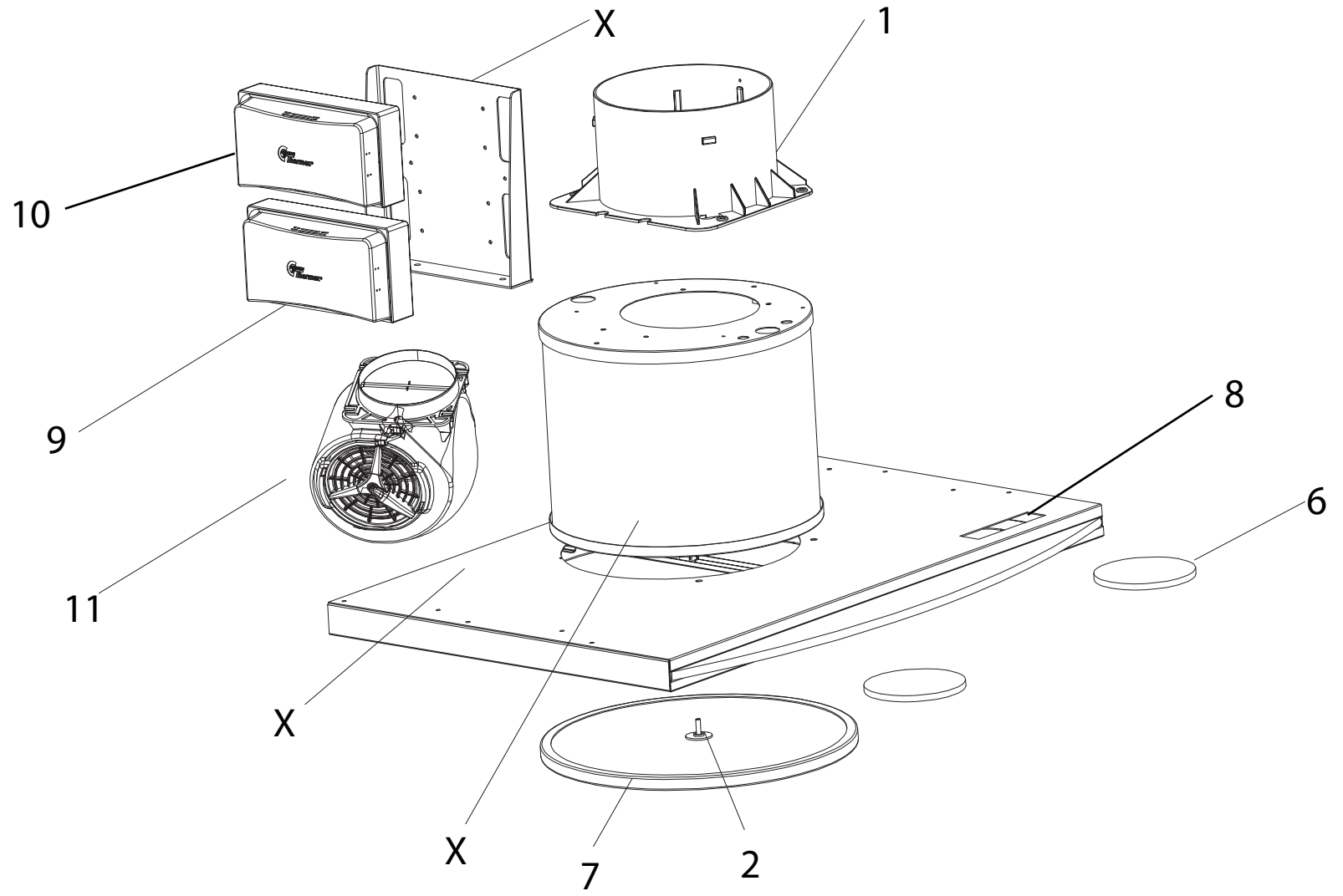


THERMEX

CITRIN



THERMEX

SPAREPART LIST CITRIN

Position	Code	Thermex Code	Description
1		R520.17.2004.0	FLANGE
2		P920.44.0445.0	SCREW
*		R520.17.2515.0	RIBBON CABLE
6		R520.17.2538.0	HALOGEN LAMP
7		R520.17.2400.0	GREASE FILTER
8		R520.17.2508.0	TOUCH PANEL
9		R520.17.2506.0	QF CIRCUIT BORD LIGHT (BLUE)
10		R520.17.2502.0	QF CIRCUIT BORD BUILT-IN MOTOR
10		R520.17.2503.0	QF CIRCUIT BOARD EXTERN MOTOR
11		R520.17.2537.0	MOTOR
X			No Spareparts